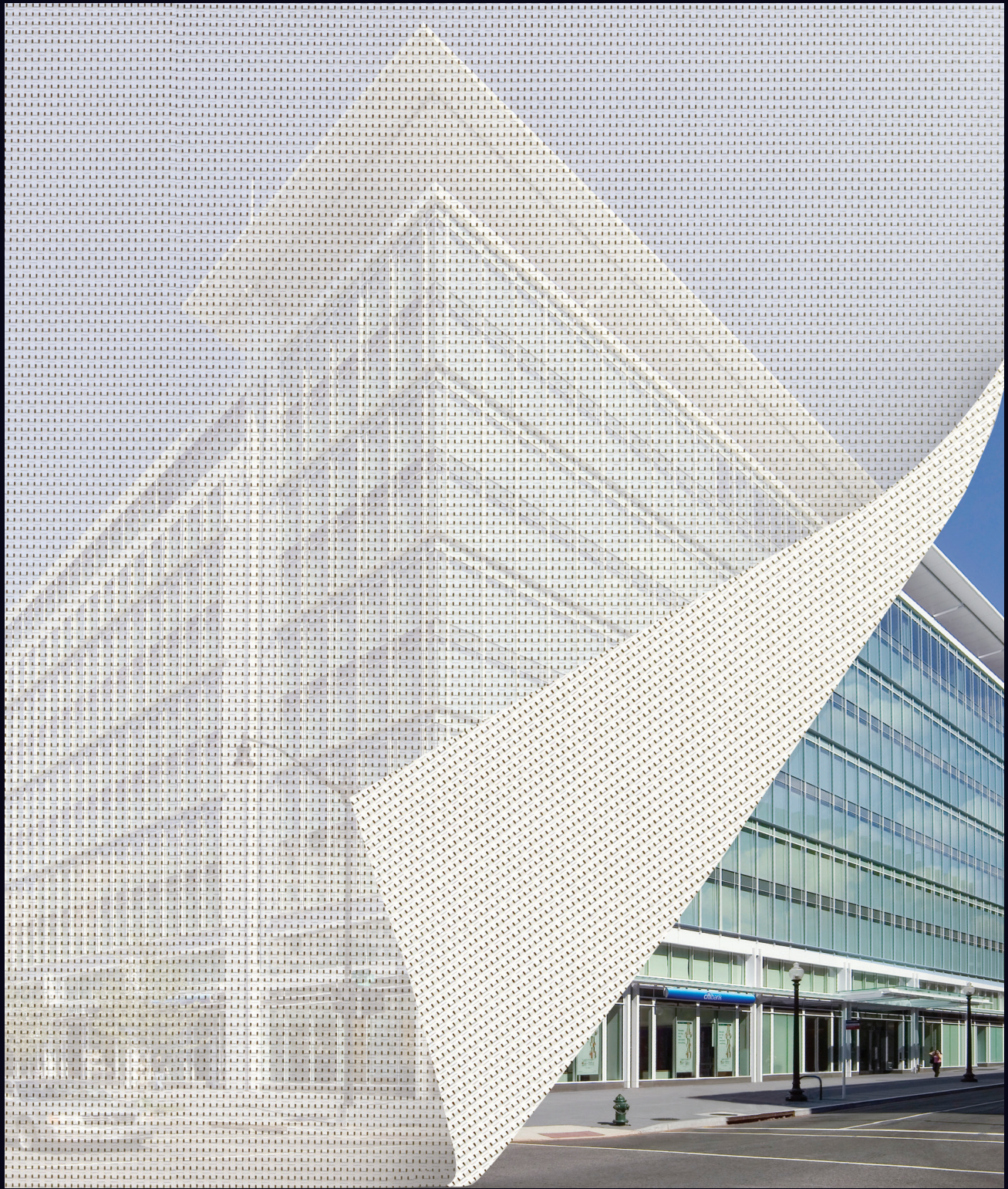


WindowManagement[®] Solutions

U.S. Green Building Council Headquarters, Washington, D.C., WDG Architecture, photo: Larry Olsen.



MechoSystems

For nearly five decades, the firm has been the premier designer and manufacturer of state-of-the-art manual, motorized, and automated window-shading systems and shadeclths. MechoSystems' commitment to eco-friendly and energy-saving products and control systems has been sanctioned by a number of respected organizations:

- MBDC's Cradle to CradleSM certification program.
- GEI's GREENGUARD Indoor Air Quality Certified[®] program.
- GEI's GREENGUARD Children & SchoolsSM program.
- *BuildingGreen*'s GreenSpec[®] Top-10 Green Products list.
- *Interior Design*'s Best of Year Merit award winner.

mechosystems.com

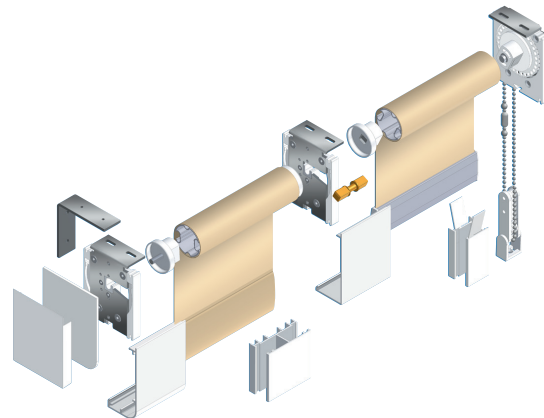
The innovative firm is a supporter of the U.S. Green Building Council (USGBC). In fact, MechoSystems' SolarTrac[®] automated-shade system, incorporating an EcoVeil[®] shadecloth, is installed in the USGBC's new LEED[®] Platinum-rated headquarters, in Washington, D.C. (See the cover of this brochure.) Likewise, architects and designers have made MechoSystems' systems and shadeclths the products-of-choice in numerous buildings certified by the USGBC's LEED[®] rating system.

mechosystems.com/leed

Classic Mecho[®]/5 manual system

- Heavy-duty hardware.
- Patented clutch design.
- 25-year non-depreciating warranty*.
- Standard, SlimLine[®], Extended, and DoubleShade[®] brackets.
- SnapLoc[®] spline and optional SnapLoc fascia for the easy removal and maintenance of shadecloth bands.
- Cradle to Cradle Certified^{CM} silver with EcoVeil[®] shadecloth.
- *Interior Design*'s Best of Year/ROSCOE Merit award.
- Wide range of accessories including fascia, pockets, closures, and side channels.

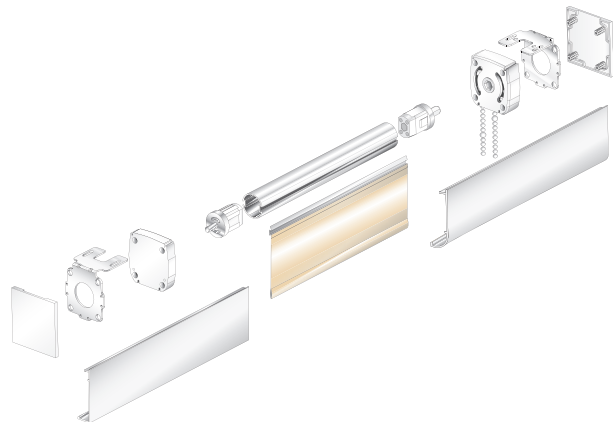
mechosystems.com/mechoshade



UrbanShade[®] manual system

- High-quality, robust components.
- Compact, unobtrusive profile.
- Competitively priced with a 10-year limited warranty*.
- Refined design for inside-frame or surface mounting.
- Blackout channels for room-darkening applications.
- SnapLoc spline and optional SnapLoc fascia for easy removal and maintenance of shadecloth bands.
- Sleek, high-impact plastic and steel brackets.
- Optional upgrade from a manual to a motorized system.
- Optional prefabricated cassette version for easy installation.
- Residential or commercial use.

mechosystems.com/urbanshade



Room-darkening and A/V applications

- Manual and motorized systems.
- Controls, which integrate with A/V and lighting systems.
- Side and sill channels for room darkening in A/V areas and mini-theaters.
- Unobtrusive extrusions, which are compatible with sleek, modern, or contemporary architecture.

mechosystems.com/roomdarkening

Pockets and accessories

- Standard and custom-designed pocket profiles with removable closures and extruded-aluminum trim.

mechosystems.com/pockets



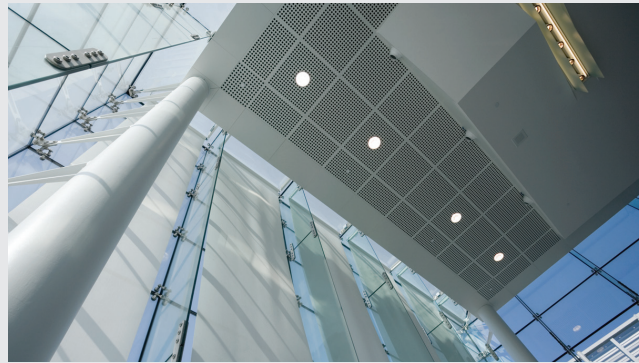
Eagle Room, The New York Times Headquarters, New York City, architecture: Renzo Piano Building Workshop with FXFowle, interior architecture: Gensler.

*Contact MechoSystems for full warranty details.

Motorized shade systems

- Ideal for executive, conference, and training facilities and for inaccessible high-bay and expansive public areas.
- Models ranging from standard shades to monumental and SkyLighter® shades.
- Whisper-quiet motors.
- DoubleShade and multibanded installations.
- 25-year warranty*.
- SnapLoc spline and optional SnapLoc fascia for easy removal and maintenance of shadecloth bands.

mechosystems.com/motorizedshades

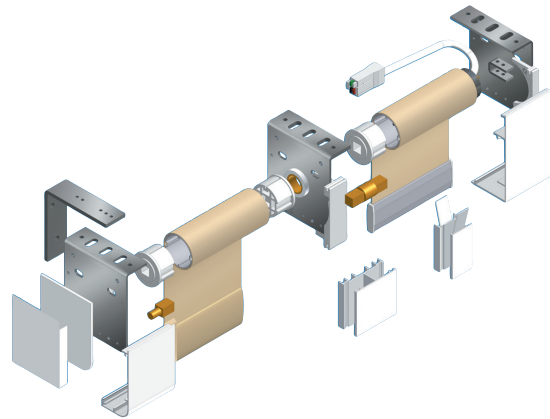


The West Midtown Intermodal Ferry Terminal, New York City, architecture: William Nicholas Bodouva & Associates, photo: Jim Roof Creative, Inc.

Classic ElectroShade® System

- Motorized roller screens.
- A cost-effective solution.
- Standard (1.6 and 2-in. /40 and 50mm) tubular motors.
- Broad range of bracket configurations.
- Electro®/1 and Electro®/2 shades with fascia; Electro® Extended for oversized areas and Electro® DoubleShades.
- Optional fascia, side channels, and pocket accessories.
- DoubleShade brackets for room darkening—a nesting of two tubes with a blackout shadecloth on one tube and a sunscreen on the other.

mechosystems.com/electroshade



New WhisperShade® IQ2 System

- Most whisper-quiet and powerful motor family in the industry.
- Built-in communications port—no relay-based controls.
- Direct-connecting low-voltage IQ® switches, which appreciably reduce wiring costs.
- Embedded encoder for accurate mid-window alignment within 1/16 in. (1.6mm).
- Full up, 25%, 50%, 75% down, and full down or user-defined positions.
- Integrates with other manufacturers' control systems.
- ZigBee® PRO-based network integration via the MechoRF™ C4 2-Zone Interface.

mechosystems.com/whispershadeiq



WhisperShade® I-Con® two-way motor system

- Most whisper-quiet and powerful motor family in the industry.
- Robust, flexible, and LonWorks® based, with the logic built into the motor.
- Flexible control wiring via a free-topology network.
- Embedded encoder for accurate mid-window alignment within 1/16 in. (1.6mm).
- Full up, 20%, 40%, 60%, 80% down, and full down or user-defined positions.
- Building-management system interface.
- Integration with the innovative SolarTrac and economical SunDialer® automated-shade systems.

mechosystems.com/whispershadeicon



U.S. Green Building Council Headquarters, Washington, D.C., WDG Architecture, photo: Larry Olsen.

*Contact MechoSystems for full warranty details.

Controls and integration

- The result of extensive research and development from a company with the longest history of creating control systems, which integrate with other manufacturers' A/V, lighting, and building-automation systems.
- State-of-the-art design, software, and RF technology.
- Industry's most advanced control capabilities.
- Formal integration partnerships with Crestron®, AMX®, Control4®, and others.
- Integration capability with Lutron® Electronics, Leviton® Manufacturing Co., Lightolier® Controls, and others.

 mechosystems.com/electroniccontrolsystems



IAC/InterActiveCorp, New York City, architecture: Gehry Partners, photo: Seong Kwon.

WhisperShade® IQ® or IQ/MLC® motor controller

- Shade controls to operate four motors (IQ/MLC) or one motor (IQ/SMC) for cost-effective roller-shade systems.
- Open architecture, which allows for the control of most standard tubular motors.
- Low-voltage, dry-contact control for the multi-level operation of master, group, and individual motors.
- Full up, 25%, 50%, 75%, and full down or custom positions.
- Accessories for numerous user-interface and control possibilities.

 mechosystems.com/electroniccontrolsystems

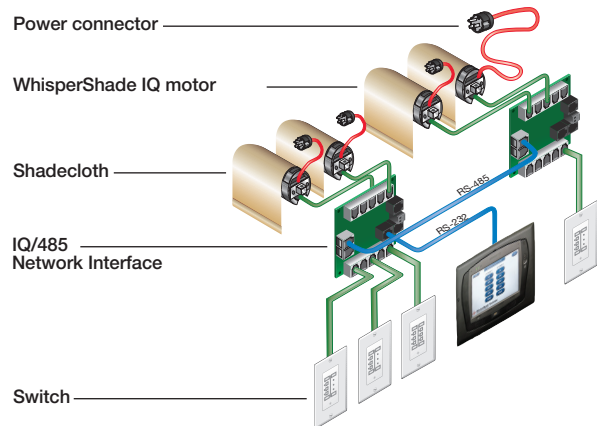


The Residences at the Ritz-Carlton, White Plains, N.Y., Cappelli Enterprises, Inc.

IQ/485® – two-way communication

- Integration with A/V, lighting, and building-automation systems via RS-232 and Internet protocols.
- RS-485 bus-network solutions, integration, and automation.
- Control of WhisperShade IQ motor and WhisperTrac® motorized drapery-track system.
- Control of standard motors with the IQ/MLC.
- Two-way, RS-485-based communication with the IQ/SMC.
- Accessories include RF receivers and transmitters, photo-sensors, a seven-day timer, key switches, and infrared (IR) receivers.
- Manual switches that are software addressable to any shade device on the network.

 mechosystems.com/electroniccontrolsystems



Wireless solutions

- RTS control, direct-to-motor with a wireless radio-frequency controller.
- MechoRF® and wireless ZigBee® PRO-based spectrum mesh technology, integrated first in North America with window-covering and drapery-track systems by MechoSystems in partnership with Control4®, the whole-home automation developer and manufacturer.

 mechosystems.com/electroniccontrolsystems

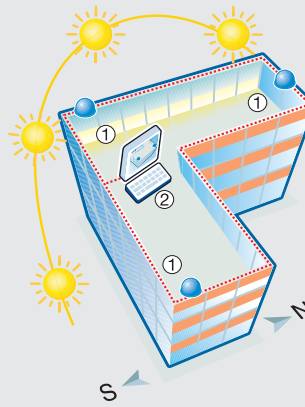


CityCenter™, Las Vegas, architecture: Foster, Gensler, Jahn, KPF, Libeskind, Pelli, Rockwell, and Viñoly.

Automation

- WindowManagement®, the prerequisite to daylighting.
- The first company to design automated shades.
- Original projects ranging from the IBM Americas/Far East Headquarters in 1973 and the Gregory Bateson California State Office Building in 1979, to the present New York Times Headquarters and the LEED® Platinum-rated U.S. Green Building Council Headquarters.
- SolarTrac, state-of-the-art PC-based building-management system for automated shading.
- SunDialer, distributed, controller-based, cost-competitive, and award-winning solar controller.

mechosystems.com/automation



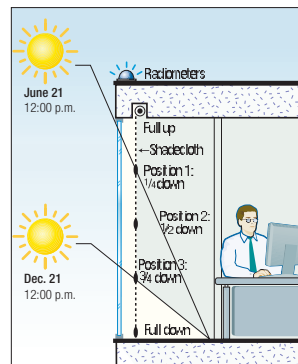
① Three roof-mounted radiometers provide data to determine actual sky conditions in real time.

② Local switches or touch screens can override the system. When this occurs, the system will regain control at 5 a.m. the next morning.

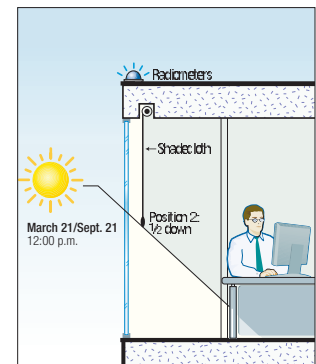
SolarTrac—the elite WindowManagement® system

- Proactive shade control, managing daylight using sophisticated solar-tracking software—to conserve energy and optimize comfort, views to the outside, and natural light.
- Energy-conserving technology, providing up to 70% savings in lighting energy.
- PC-based software, adjusting shade bands according to the angle of the sun, allowable solar penetration, and sky conditions to protect against solar-heat gain, brightness, and glare.
- Automated solar tracking, determining the sun's angle in relation to a building's location, solar orientation, and geometry.
- Sky monitoring, tracking current conditions with solar sensors.
- Intelligent analysis, calculating the BTU level on the windows of each zone.
- Detailed performance reports maintain a log of all overrides, which can be utilized to fine-tune the system.
- User-defined shade positions, maneuvering shades in each zone to preprogrammed, specified points on the window.
- Advanced two-way communication with each shade, facilitating flexible and convenient support.
- Uniform shade band alignment, supporting a facade's clean look.
- Optional Virtual-switch Module, allowing PC-based shade control from an occupant's workstation.
- Optional Brightness-Override Module, adjusting shades to alleviate sky brightness and glare, while maximizing the view.
- Optional Shadow-Override Module, maximizing daylight and preserving views by raising shades in shadowed areas.

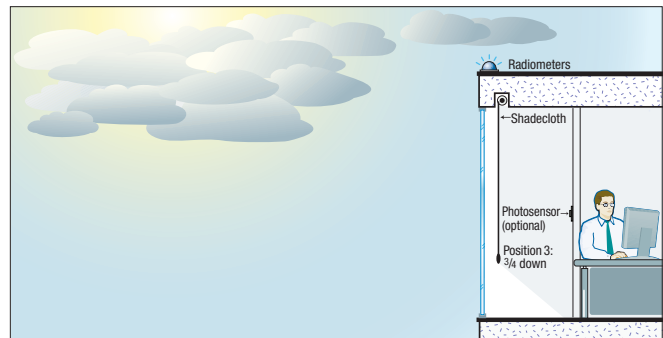
mechosystems.com/solartrac



Allowable solar penetration summer/winter: June 21/Dec. 21.



Allowable solar penetration spring/fall: March 21/Sept. 21.



Overcast sky condition with the Brightness-Override Module.

SunDialer—the economical WindowManagement system

- Ideal for small-scale and retrofit projects.
- 12-zone controller, integrated with radiometers and WhisperShade I-Con motors.
- Solar-tracking and sky-monitoring features, similar to those of SolarTrac.
- Event scheduler for customized shade-band positioning during weekends, holidays, or special events.
- Detailed performance reports that maintain a log of all overrides, which can be utilized to fine-tune the system.
- Internet protocol interface for remote support.

mechosystems.com/sundialer

I-Con Gateway with IP Interface



The shadecloth collection

- Exclusively engineered, laboratory-tested, and award winning.
- Effective performance with discrete types of glazing.
- Over 200 styles, colors, patterns, and weaves.
- Antimicrobial and/or antifungal characteristics for most shadecloths.
- EcoVeil, sustainable and Cradle to Cradle Certified^{CM} shadecloths.
- GREENGUARD[®] certification for most fabrications.
- Bogota, Oeko-Tex[®] Standard 100 Certified shadecloths.
- AcoustiVeil, acoustically absorptive shadecloths (NRC: 0.575).
- Blackout, dimout, film, and other specialty materials.
- Diverse range of traditional, contemporary, designer, and eco-friendly shadecloths.
- Custom-color program for large-scale projects.

 mechosystems.com/shadecloth



Blackout, Dimout, and Film—specialty materials including transparent film and tightly woven shadecloths:

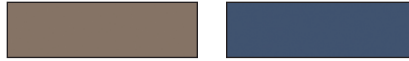
- Equinox Blackout 0100 Series, opaque; 12 colors available.



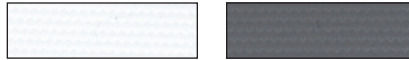
- Midnite[®] Blackout 0200 Series, opaque; nine colors available.



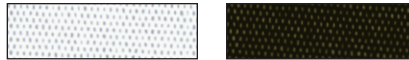
- MirroFilm 0600 Series, transparent Mylar[®] for DualShades; two colors available.



- Classic Blackout 0700 Series, opaque; seven colors available.



- AcoustiVeil Dimout 0890 Series, 0–1% open; three colors available.

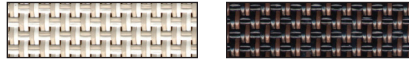


G = ThermoVeil[®] Basket Weaves—2 x 2 basket-weave shadecloths:

- ThermoVeil[®] Dense Basket Weave 1300 Series, approx. 3% open; eight colors available.



- ThermoVeil[®] Dense Basket Weave 1500 Series, approx. 3% open; eight colors available.



- ThermoVeil[®] Open Basket Weave 2100 Series, approx. 10% open; eight colors available.



G = ThermoVeil[®] Vertical and Satin/Diamond Weaves—technically advanced and lineally woven shadecloths:

- ThermoVeil[®] Vertical Privacy Weave 0900 Series, 0–1% open; six colors available.



- ThermoVeil[®] Dense Vertical Weave 1000 Series, 2–3% open; six colors available.

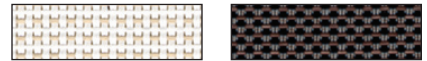


- ThermoVeil[®] Reversible Satin/Diamond Weave 3000, 3200, and 3300 Series, 1–2% open; 13 colors available.



G = EuroVeil[®] and EuroTwill[®]—soft and finely woven shadecloths:

- EuroVeil[®] Basket Weave 5300 Series, approx. 3% open; 12 colors available.



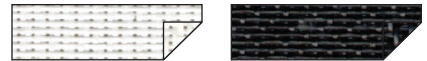
- EuroTwill[®] Reversible Weave 6000 Series, approx. 3% open; 13 colors available.



- EuroTwill[®] Reversible Weave 6200 Series, approx. 2% open; five colors available.



- EuroTwill[®] Reversible Broken Weave 6450 Series, approx. 3% open; nine colors available.



G = Designer Collection—distinctive, colorful, and textured shadecloths:

- Designer Collection: Oxford Row 5100 Series, 5–6% open; six colors available.



- Designer Collection: Classic Twill Weave 5200 Series, 5–6% open; four colors available.



- Designer Collection: Antique Linen 5400 Series, approx. 3% open; six colors available.



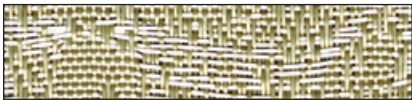
- Designer Collection: Sarah 8200 Series, approx. 3% open; five colors available.



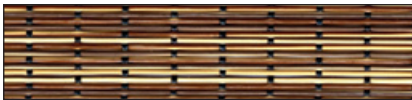
- Designer Collection: Dot 8300 Series, approx. 2% open; five colors available.



- Designer Collection: Orchid 8400 Series, approx. 3% open; five colors available.



- Designer Collection: Bamboo 8600 Series, 12–13% open; six colors available.

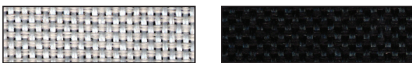


- Designer Collection: Swirl 8700 Series, approx. 3% open; five colors available.

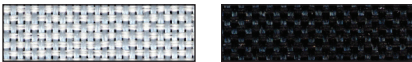


Bogota Series—FR, PVC-free, and Oeko-Tex® Standard 100 Certified shade cloths:

- Bogota Lowe E 0510 Series, approx. 3% open; five colors available.



- Bogota 0560 Series, approx. 3% open; five colors available.



G = EcoVeil® Series—100% recyclable, FR, and PVC-free shade cloths.

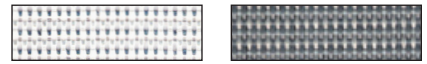
- Inspired by McDonough and Braungart's book *Cradle to Cradle: Remaking the Way We Make Things*.
- An eco-effective shade cloth, which can be reclaimed and recycled.
- The first environmentally certified product of its kind.
- With a manual Mecho®/5 shade, the first complete window-treatment to become Cradle to Cradle Certified™ silver.

mechosystems.com/ecoveil

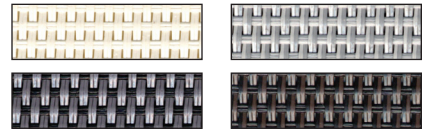
Received two 2009 Best of NeoCon® Silver awards for the EcoVeil® Naturals

BuildingGreen's GreenSpec® Top-10 Green Products list

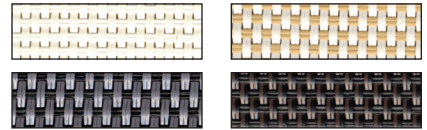
- EcoVeil® Screens 0950 Series, approx. 1% open; eight colors available.



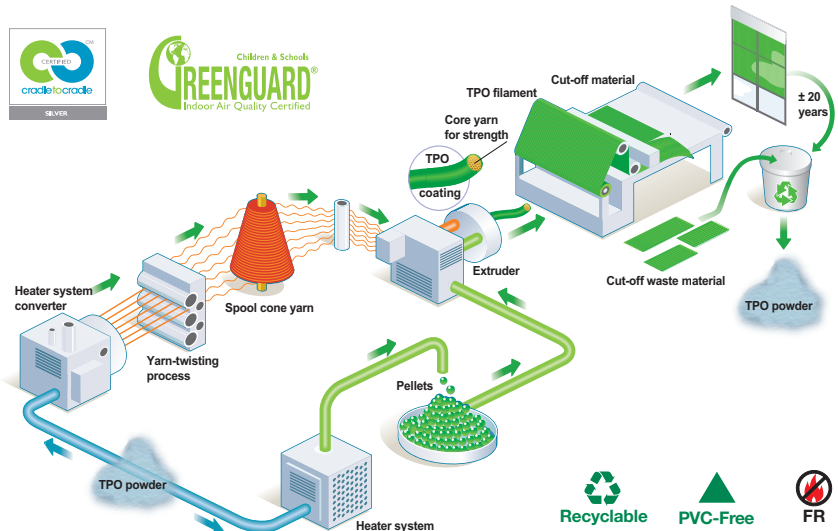
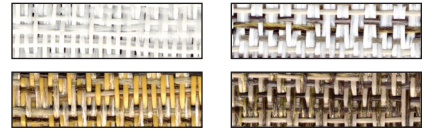
- EcoVeil® Screens 1350 Series, approx. 3% open; eight colors available.



- EcoVeil® Screens 1550 Series, approx. 3% open; eight colors available.



- EcoVeil® Naturals 8050 Series, 1–2% open; eight colors available.



The closed-loop manufacturing cycle of this TPO (thermoplastic olefin) based material allows for EcoVeil® to be repolymerized and woven again into a new shade cloth or made into something else—endlessly.



New EcoVeil Naturals.

Specialty shades

- A full spectrum of shading solutions.
- Configurations and models for atypical fenestration where unusual shade geometries are mandated.
- Ideal when the requirements veer from standard design paradigms.
- Suitable for sloped, large, and stationary conditions for shades and wide, curved expanses for draperies.
- Technically advanced automation features.
- Every window configuration soundly accommodated to offer protection from direct solar gain and intense glare.

mechosystems.com/specialtyshades



SkyLighter® shades, St. John's Bread and Life, Brooklyn, N.Y., Rogers Marvel Architects.

Monumental shades

- An adaptive shading system.
- Necessary for effective shading in areas with very large windows, which can be accommodated up to 50 ft. (15m) wide and 40 ft. (12m) tall.
- Usage of powerful ElectroShade motors.

DualShades

- Unique two-layer insulating system, which includes a solar-screen material on the room side and tinted MirroFilm Mylar® or a blackout material on the window side.
- A single tube accommodates the double-layer band with a SnapLoc spline for easy removal.

Bottom-up shades

- A flexible design, operating in the same manner—with a roller tube—as other MechoSystems sunscreen systems.
- Necessary for the privacy requirements on lower floors, especially the ground floor of a building.
- Side-guide wires to map the path of shades of all shapes and sizes.

Sloped shades

- Distinct and effective.
- Side-guide wires with a roller tube—like bottom-up shades—to map a shade's movement and ensure it follows a slope precisely.
- Smooth operation for either a flat or a soft-fold shadecloth.

SkyLighter shades

- Well-engineered shading system to reduce heat and glare, which normally and undesirably enter through skylights.
- Flat or soft-folded alternatives when fully drawn closed.
- Effective and stylish system, appropriate for a wide range of shapes, angles, and sizes.

Fixed shades

- Static, yet flexible window covering with essentially no restrictions on the choice of shadecloth or window geometry.
- Solar protection and natural-light distribution in circumstances which cannot be served by traditional roller shades.

PanelTrac®

- Horizontally traversing shadecloth panels.
- Smooth and efficient operation.
- A simple and clean alternative to roller shades.
- Functional as a room or area divider as well as a window covering.

WhisperTrac motorized drapery-track system

- A sophisticated system with a choice of two whisper-quiet, powerful motors controlled via IR, RS-232, RS-485, IQ switches, or a ZigBee PORO-based MechoRF receiver.
- Heavy-weight C.O.M. fabric up to 58 ft. (17.7m) long.
- Curvable track to industry's tightest radius—8 in. (20cm).



MechoSystems
Corporate Headquarters
42-03 35th Street
Long Island City, NY 11101
T: +1 (718) 729-2020
F: +1 (718) 729-2941
E: marketing@mechosystems.com
W: mechosystems.com

Shadecloth samples
F: (800) 899-8081
E: samples@mechosystems.com

Copyright © 2013 MechoSystems. All rights reserved. All trademarks herein are owned by MechoSystems. No part of this document may be reproduced or otherwise used without the express written consent of MechoSystems. This literature was printed on post-consumer paper.



L10005.0113