

**GENERAL
PARTITIONS** *Mfg. Corp.*
GENERALPARTITIONS.COM

The Ultimate in Privacy

FEATURED PRODUCT

OUR EASTERN MAX STYLE OFFERS UP TO 72" HIGH
DOORS AND PANELS FOR MAXIMUM PRIVACY.

ADVANTAGES

- ▶ A leader in the industry with **over 60 years of experience**, offering the largest selection of partitions in the industry, with 4 different styles, and 9 different material options.
- ▶ **USA Made**—All of our products are proudly manufactured in Erie, PA U.S.A.
- ▶ **Outstanding customer service** since its inception—**second to none!**
- ▶ Shipping schedules you can depend on—98% of all orders shipped within one day of the schedule date – And most on time or sooner.
- ▶ Our shipments arrive to you safely with our cellular poly crate, which has proven to reduce freight damage. Statistically, **99%** of the steel orders arrived to the job site **damage-free**.
- ▶ Express ship allows your orders to ship as quick as **2 working days**.
- ▶ Use of TORX head fasteners with pin to prevent theft and vandalism.
- ▶ Barrier free design and operational handles to meet ADA requirements.
- ▶ Green Materials



PROJECTS THAT WE ARE PROUD TO BE PART OF



Fort Benning

Series 40-3

Fort Knox

Series 40-7

PNC Ballpark

280 Compartments: of Series 40 floor mounted/overhead braced.
Material: Powder Coated Steel

Pentagon Wedge 1

240 Compartments: of Series 40 floor mounted/overhead braced
Material: Solid Phenolic Core

Boston Convention Center

250 Compartments: Series 60 floor to ceiling.
Material: Stainless Steel

Estadio-Chavis: Chivas Soccer Stadium—Guadalajara

680 Compartments: Combination of 40 and 50 floor mounted/overhead braced, and ceiling hung.
Material: Anti-Graffiti Powder Coated Steel, Stainless Steel and Solid Phenolic Core



PARTITION STYLES

30 SERIES

Where no overhead bracing is required, but ceiling hung partitions are impractical. General Partitions' 30 series (floor supported) is ideal. Modern spaciousness and rigidity are important features. The 30 Series is also featured in a 54" "Junior Size" which has proved to be a great help with younger children.



40 SERIES

Our most popular style of toilet compartment construction is 40 Series (floor supported with headrail.) It is recommended for new and old buildings where economy, ease of installation, and rigid overhead bracing are required.



50 SERIES

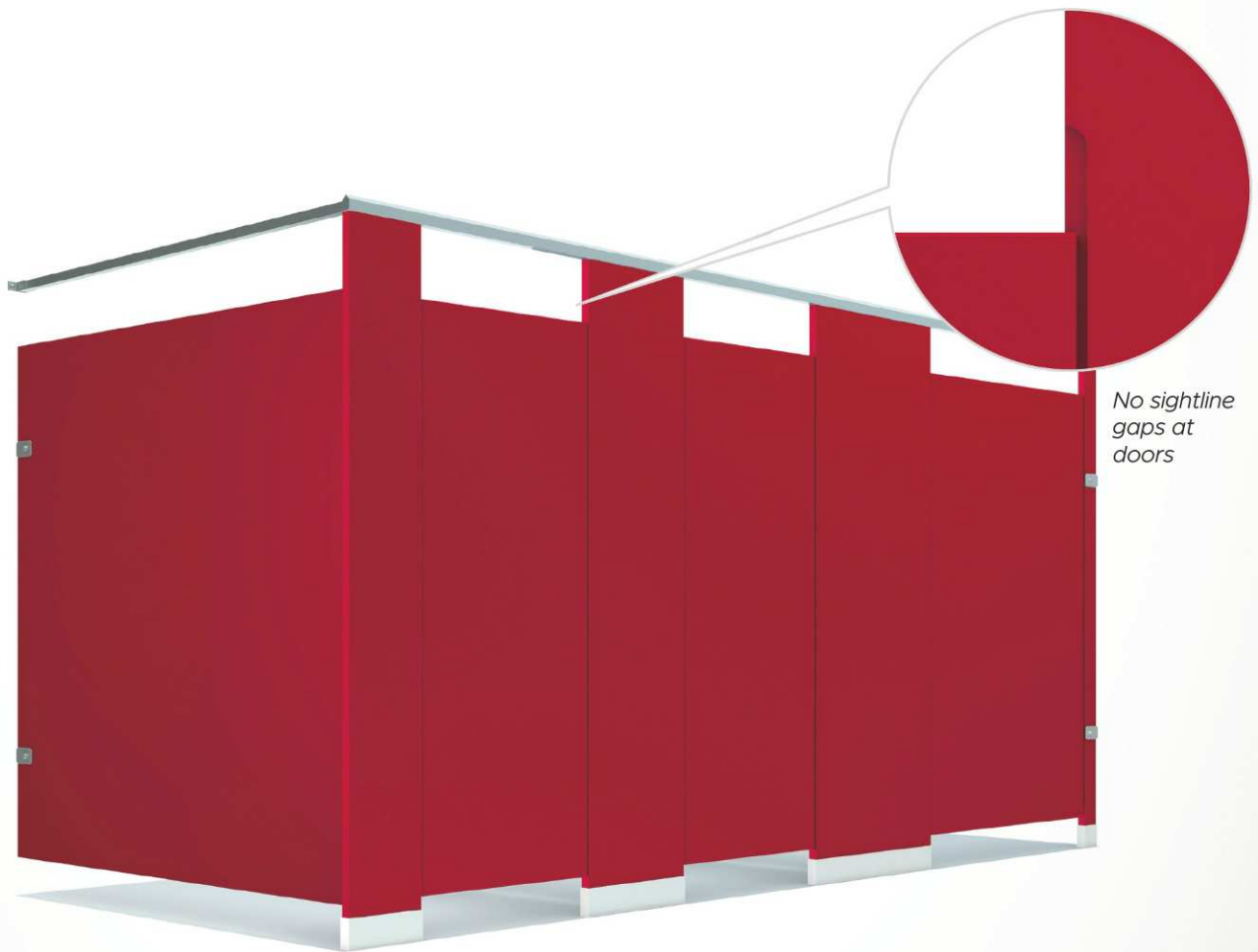
The ease of floor maintenance when General Partitions 50 Series (ceiling hung) style is used, has influenced architects and building owners to utilize this style particularly on construction where dropped ceiling or open span type construction is practical.



60 SERIES

General Partitions' floor to ceiling Series 60 is recommended for all areas subject to heavy usage. For problem areas we recommend the use of full length aluminum brackets and hinges.





EASTERN STYLE

When increased privacy is required **“Eastern style” is an option that can be incorporated into any of our partition series and materials.** Panels and doors are specified as 67” high and mounted 3-1/2” off of the floor.

EASTERN MAX STYLE

Eastern Max Style can be incorporated into any series and material of partitions when maximum privacy is required. Panels and doors are specified as 72” high and mounted 3-1/2” off of the floor. Continuous brackets and no-sight door options to minimize any sight gaps are available as add-ons to either Eastern Style.

FEATURES

- ▶ 67” or 72” high doors and panels
- ▶ Mounted 3-1/2” off the floor

OPTIONAL

- ▶ Continuous brackets / hinges
- ▶ No sightline gaps at doors
- ▶ Indicator latches



PARTITION STYLES



ANTI-GRAFFITI
OPTION AVAILABLE

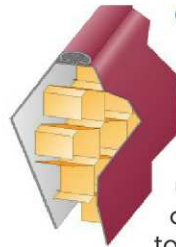
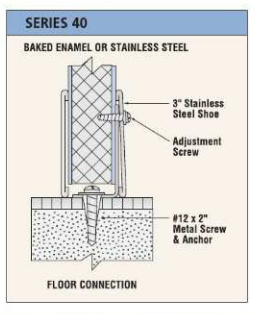
Fireproof steel partition will not support a flame or produce toxic gases.

Express shipment will ship in 2 working days on all 21 colors. Some restrictions apply. Our complete color chart is available upon request.

SR-455 Red	SN-409 Autumn Brown	SN-248 Royal Beige	SI-575 Teal	E-36 Black	SW-20A White	SR-485 Mauve	SR-415 Admiral Blue	SA-386 Fashion Grey	SB-382 Cadet Blue	SI-567 Hunter Green	SO-715 Burgundy	SA-401 Mist Grey	SR-118 Terra Cotta							
						<table border="0"> <tr> <td></td> <td></td> <td></td> <td></td> </tr> <tr> <td>SV-936 Silver Vein</td> <td>WV-852 White Vein</td> <td>SS-338 Sandstone</td> <td>GS-403 Greystone</td> </tr> </table>											SV-936 Silver Vein	WV-852 White Vein	SS-338 Sandstone	GS-403 Greystone
SV-936 Silver Vein	WV-852 White Vein	SS-338 Sandstone	GS-403 Greystone																	

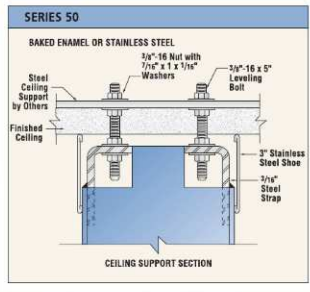
No upcharge

POWDER COATED & STAINLESS STEEL CONSTRUCTION & DETAILS



CONSTRUCTION

General's standard panel with Ribcore sound deadening reinforcement is offered as a standard at no extra charge. Sheet metal skins are bonded under pressure, to each cell of the core with an adhesive impervious to moisture. Lighter weight, greater strength and permanently flat panels are provided through this type of construction.



CORNER REINFORCEMENTS

Used on all steel partitions at exposed corners. Mechanically fused to the edges. Doubles the strength of the corner. Also allows field repairs if and when required. Eliminates welding and grinding of the corners which removes the protective zinc coating.

MATERIAL OVERVIEW

General's Powder Coated Galvanized Bonderized Steel is available in all styles for toilet partitions, showers and dressing compartments. The economy and durability of Powder Coated Steel makes it the popular choice for new construction or remodeling.

GREEN ALERT

Environmentally safe—our Hybrid Polyester—Epoxy powder contains no harmful solvents or VOC's applied electrostatically and baked in an energy efficient infrared oven to cure. Contains post consumer and post industrial recycled steel and may contribute to LEED Certification.

MIN. 50% RECYCLED

All colors and patterns are printed reproductions only. Please request actual sample for absolute color fidelity. Colors are subject to change.

STAINLESS STEEL



Stainless Steel is not only a good selection for strength and durability, but is an architecturally pleasing addition to any decor. Available in Satin, or a variety of textures and patterns.

- ▶ Fireproof steel partition will not support a flame or produce toxic gases.

TEXTURED STAINLESS STEEL

The partitions are fabricated with a deep textured finish, and offer the following advantages:

- ▶ Vandal Resistant
- ▶ Resists Fingerprints and Smudges
- ▶ Reduces Maintenance Costs
- ▶ Guaranteed 15 Years

MATERIAL OVERVIEW

General's stainless steel is available in all styles for toilet partitions, showers and dressing compartments. Stainless steel, the deluxe steel partition material will hold its beauty for years. Dirt, grease and cosmetics are easily removed. Even scratches can be eliminated by buffing the finish and blending the surface.



Diamond Pattern



Leather Pattern

Satin finish shown



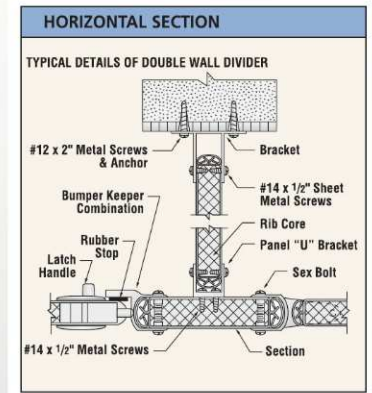
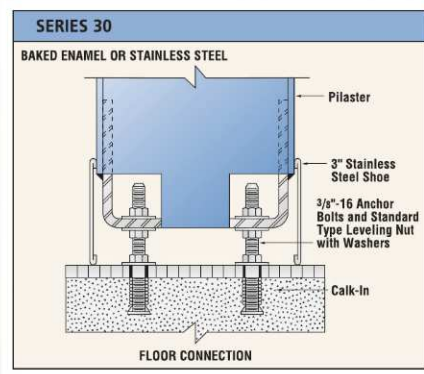
GREEN ALERT

- ▶ No VOC's
- ▶ Contains post consumer and post industrial recycled steel and may contribute to LEED Certification.
- ▶ Stainless Steel is 100% recyclable.

MIN. 80% RECYCLED



POWDER COATED & STAINLESS STEEL CONSTRUCTION & DETAILS





HIGH DENSITY POLYMER



**NFPA 286
FIRE RATED
OFFERED**

STANDARD

- ▶ Heavy duty 8" wraparound hinges and continuous aluminum brackets at all locations adds strength and durability
- ▶ Graffiti resistant
- ▶ 25 year guarantee

OPTIONS:

- ▶ Continuous plastic brackets and shoes
- ▶ Integral and continuous hinges
- ▶ No sight strike
- ▶ Also available to meet NFPA 286 Classification as well as ASTM E 84 Class B

Express shipment for all 20 colors will ship in 2 working days—some restrictions apply. Our complete color chart is available upon request.



205
Galaxy



220
Cobalt



225
Designer White



228
Linen



236
Sterling



238
Oyster



240
Colonial



242
Titanium



250
Onyx



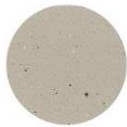
260
Sandstone



501
Hammered
Stainless



262
Latte



608
Quartz



272
Fern



274
Hunter



290
Bordeaux



295
Cranberry



601
Topaz



604
Limestone



605
Granite

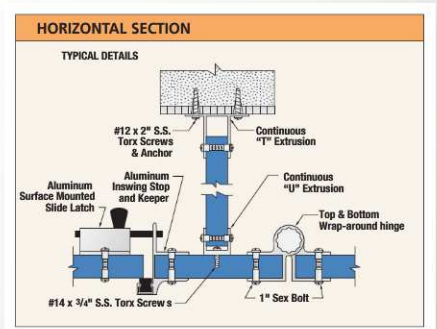
MATERIAL OVERVIEW

General's H.D.P. toilet partitions, showers and dressing compartments are manufactured using high density polymer resin. Color is solid thru-out. Compartments will not rust, rot delaminate or absorb odors like marble. Water resistant, can be used under any moisture condition. Perfect for shower and dressing compartments as well as toilet partitions. Resists mold, mildew, bacteria & fungus.

GREEN ALERT

- ▶ We recycle all waste and scrap during our manufacturing process.
- ▶ We use reclaimed material in our production.
- ▶ Our HDP sheets are completely 100% recyclable.
- ▶ We also have 100% post consumer HDP partitions available.
- ▶ GreenGuard Gold Certified

25-100% PRECONSUMER MATERIAL



All colors and patterns are printed reproductions only. Please request actual sample for absolute color fidelity. Colors are subject to change.

SOLID PHENOLIC CORE



General's S.P.C. toilet partition are fabricated of solid phenolic melamine fusion welded to surface will not delaminate, edges are resistant to scratches and abrasion. SPC panels offer stain resistance combined with

Express shipment with ship
Our complete color chart ...



- ▶ N
- ▶ Green
- ▶ May

COLOR-THRU SOLID PHENOLIC CORE



Color-Thru Solid Phenolic offers the same strength and durability of our black core phenolic, with the added advantage of matching color throughout the core, forming a one piece panel, making it the perfect choice for high traffic areas. The Color-Thru Phenolic carries all the same specs and hardware as our standard black core phenolic.

...with the strength and durability of our black core phenolic, matching color throughout the core, forming a one piece panel, areas. The Color-Thru Phenolic carries all the same specs and hardware as our standard black core phenolic.

COLOR THROUGHOUT



STANDARD PRODUCT HIGHLIGHTS

- ▶ GreenGuard Gold Certified
- ▶ Core color extends all the way through the product
- ▶ All 15 colors made in USA
- ▶ Resists moisture, scratches, and abrasions

TOILET PARTITIONS

Toilet partitions offering all of the dependability of Phenolic, but adds the advantage of being color consistent throughout the thickness of the partition.

15 NEW COLORS



SOLID PLASTIC HDP LOCKERS



General Partitions solid plastic locker is constructed of a one-piece HDP body with no mechanical fasteners or hardware.

The locker frame is attached using full length dado joints secured by continuous plastic welds. The continuous spring-loaded latch mechanism provides a vertical lift that is designed to accept a padlock. The latch mechanism is attached to the length of the door, providing a continuous, secure latch.

Our Door Hinge is also continuous and contains no metallic knuckles or pins. Solid Plastic benches with pedestals available to match the lockers.

- ▶ Solidly Constructed of High Density Polymer
- ▶ Perfect for High Moisture Areas
- ▶ Will not Rust, Rot, Dent or Corrode
- ▶ 20 Year Limited Warranty

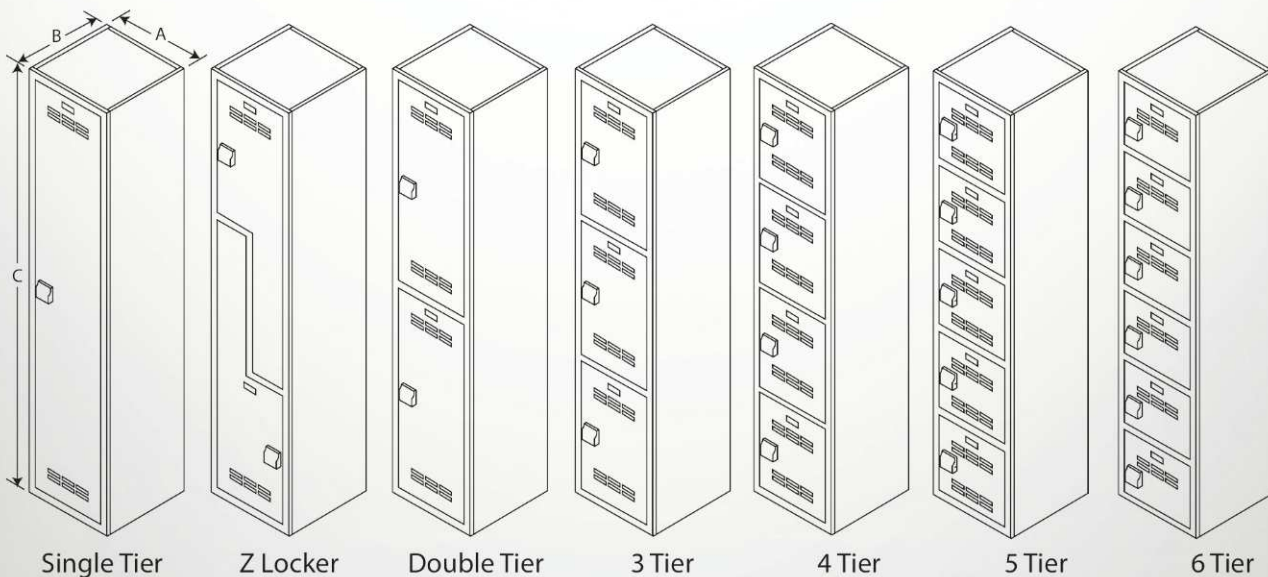


- ▶ We recycle all waste and scrap during our manufacturing process.
- ▶ We use reclaimed material in our production.
- ▶ Our HDP sheets are completely 100% recyclable.



AVAILABLE SIZES

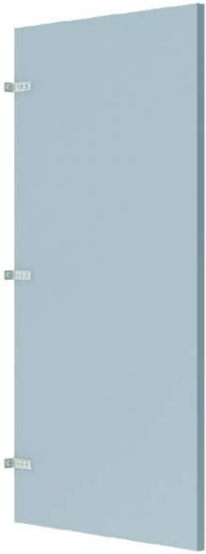
A = 12", 15", or 18"
 B = 12", 15", or 18"
 C = 24", 36", 48", 60", or 72"



URINAL SCREENS / SHOWERS



URINAL SCREENS



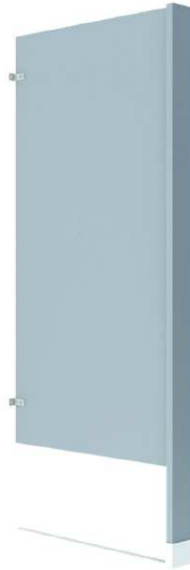
Wall Hung (WHS)

Wall Hung (WHS)

Screen is hung from three chrome-plated "T" brackets.



Wall Hung (WHS)
(Shown with
optional flange)



Floor Braced
Screen (FBS)

Floor Braced Screen (FBS)

Screen panel supported by a floor supported pilaster (see Series 30 specification).



Floor Supported
with Headrail (FSH)

Floor Supported With Headrail (FSH)

Headrail braced (see Series 40 specification). Panel supported by pilaster with headrail bracing.

SHOWER CABINETS

Shower Cabinets

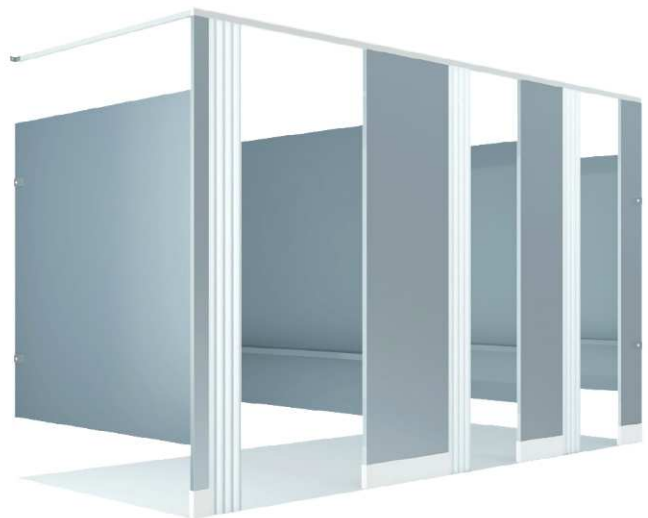
General Partitions' shower is the finest in double-wall unit shower construction. It features a pre-cast terrazzo receptor. Available sizes—32" x 32" x 82", 36" x 36" x 82", 40" x 40" x 82" Neocorner, 40" x 40" x 82" or 40" x 48" x 82" Handicapped.



Physically Handicapped Accommodations

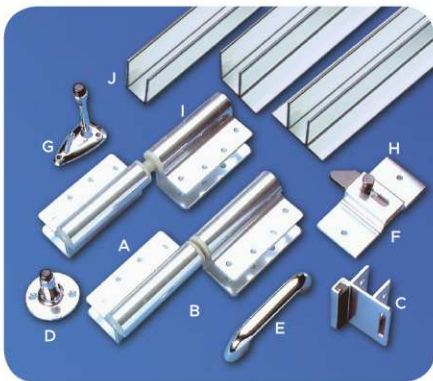
SHOWER/DRESSING COMPARTMENTS

Our shower / dressing compartments are available in powder coated, stainless steel, SPC (Solid Phenolic Core), HDPE (High Density Polymer). Perfect for dividing off shower rooms with a central drain. Can be configured with either curtains or doors. Eastern Height or Eastern Max can be incorporated when more privacy is desired.





see us at
Sweets.com



H.D.P. (HIGH DENSITY POLYMER)

- A 1500 AL-T Top Assembly Aluminum Wrap-Around Gravity Hinge
- B 1500 AL-B Bottom Assembly Aluminum Wrap-Around Gravity Hinge
- C 2060-IAL Inswing Stop and Keeper—Aluminum 2060-OAL Outswing (Not Shown) Stop and Keeper—Aluminum
- D 6250 Door Bumper
- E 6300 Door Pull
- F 2000 AL Surface Mounted Slide Latch—Aluminum
- G 6200D Combination Coat Hook and Bumper
- H 6000 EXT 1" (54") "T" Bracket
- I 6060 EXT 1" (54") "L" Bracket
- J 6030 EXT 1" (54") "U" Bracket



BAKED ENAMEL/STAINLESS STEEL

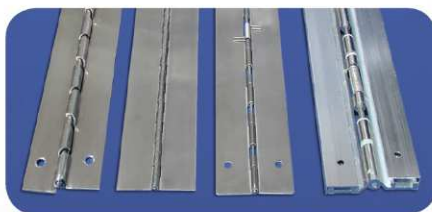
- A 2060D Combination Stop and Keeper
- B 1250D Top Hinge Bracket
- C 1250D-B Bottom Hinge Bracket with Male Cam (sold separately)
- D 6200D Combination Coat Hook and Bumper
- E 1500D-T Top Hinge Pin
- F 1000D-C Spring Activated Cam Mechanism
- H Miscellaneous Screws
- I 4000 1" Two Ear Chrome Wall Bracket
- J 4030 1" "U" Chrome Bracket
- K 2000D Concealed Latch Operating Handle
- M 6250 Door Bumper
- N 4120 1 1/4" One Ear Chrome Wall Bracket
- O 4060 1" One Ear Chrome Wall Bracket
- P 6300 Door Pull

4specs.com



PLASTIC LAMINATE

- A 2060C-PL Combination Stop and Keeper
- B 1250PL-T Top Hinge Bracket
- C 1500PL Concealed Top Hinge
- D 1500PL-T Top Hinge Pin
- E 1000PL Concealed Bottom Hinge
- F 1000PL Female Cam
- G 1250PL-B Bottom Hinge Bracket with Male Cam (sold separately)
- H 2000CPL Concealed Latch with Bar
- J Miscellaneous Screws
- K 4120 1 1/4" One Ear Chrome Wall Bracket
- L 4060 1" One Ear Chrome Wall Bracket
- M 6300 Door Pull
- N 6250 Door Bumper
- O 6200D Combination Coat Hook and Bumper
- P 4000 1" Two Ear Chrome Wall Bracket
- Q 4030 1" "U" Chrome Bracket



OPTIONAL FULL LENGTH HINGES

- ▶ Stainless Steel Cam
- ▶ Stainless Steel Piano
- ▶ Spring Loaded Stainless Steel
- ▶ Spring Loaded Aluminum Hinge with Covers (Concealed Fasteners)

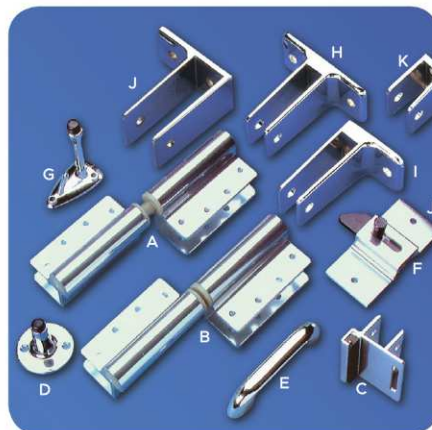
OPTIONAL HEAVY DUTY FULL LENGTH BRACKETS

Available in Aluminum or Stainless Steel



GENERAL PARTITIONS MFG. CORP.
1702 Peninsula Drive • Erie, PA 16505-4243
P.O. Box 8370 • Erie, PA 16505-0370
Phone 814.833.1154 • Fax 814.838.3473
GeneralPartitions.com
info@GeneralPartitions.com

ARCAT.com



S.P.C. (SOLID PHENOLIC CORE)

- A 1500 AL-T Top Assembly Aluminum Wrap-Around Gravity Hinge
- B 1500 AL-B Bottom Assembly Aluminum Wrap-Around Gravity Hinge
- C 2060-IAL Inswing Stop and Keeper—Aluminum 2060-OAL Outswing (Not Shown) Stop and Keeper—Aluminum
- D 6250 Door Bumper
- E 6300 Door Pull
- F 2000 AL Surface Mounted Slide Latch—Aluminum
- G 6200D Combination Coat Hook and Bumper
- H 4000 (.5) 1/2" "T" Chrome Bracket
- I 4060 (.5) 1/2" "L" Chrome Bracket
- J 4060 1" "L" Chrome Bracket
- K 4030 (.5) 1/2" "U" Chrome Bracket



F.R.P. (FIBERGLASS REINFORCED PLASTIC)

- A 1500 AL-T Top Assembly Aluminum Wrap-Around Gravity Hinge
- B 1500 AL-B Bottom Assembly Aluminum Wrap-Around Gravity Hinge
- C 2060-IAL Inswing Stop and Keeper—Aluminum 2060-OAL Outswing (Not Shown) Stop and Keeper - Aluminum
- D 6250 Door Bumper
- E 6300 Door Pull
- F 2000 AL Surface Mounted Slide Latch - Aluminum
- G 6200D Combination Coat Hook and Bumper
- H 4000 1" Double Aluminum "T" Bracket
- I 4060 1" Double Aluminum "L" Bracket
- I 4030 1" Double Aluminum "U" Bracket (not shown)



Printed on
Recycled
Paper

Printed in
the USA